

Bourdon tube pressure gauge with electrical output signal Standard version, cable outlet Model PGT02

WIKA data sheet PV 11.02

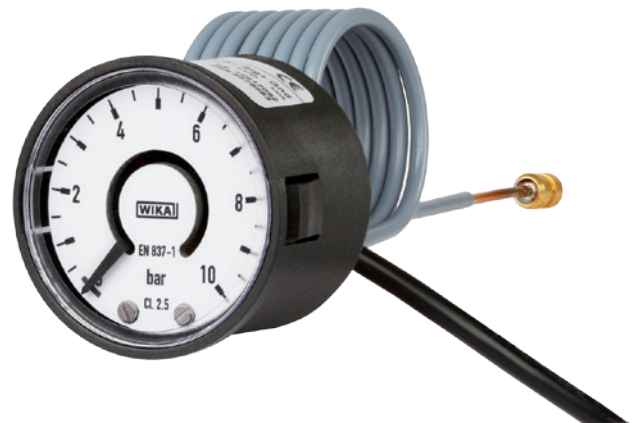
intelliGAUGE®

Applications

- For monitoring of water pressure changes in heating plants (wall-type boilers, free-standing boilers)

Special features

- Non-contact sensor (wear-free)
- Case made of plastic with snap-fit cams for panel mounting
- Nominal size 40
- Scale ranges 0 ... 2.5 bar to 0 ... 10 bar
- Output signal 0.5 ... 4.5 V ratiometric



Bourdon tube pressure gauge model PGT02

Description

Design
EN 837-1

Nominal size in mm
40

Accuracy class
2.5

Scale ranges
0 ... 2.5 to 0 ... 10 bar
or all other equivalent vacuum or combined pressure and vacuum ranges

Pressure limitation
Steady: 3/4 x full scale value
Fluctuating: 2/3 x full scale value
Short time: Full scale value

Permissible temperature
Ambient: -20 ... +60 °C
Medium: +60 °C maximum

Temperature effect
When the temperature of the measuring system deviates from the reference temperature (+20 °C): max. $\pm 0.4 \%$ /10 K of the span

Process connection
Cu-alloy,
lower back mount (LBM),
capillary, length 450 mm, with male thread G 1/4 connection

Pressure element
Cu-alloy, C-type

Movement
Cu-alloy

Dial

Plastic, white, black lettering

Pointer

Plastic, black

Case

Plastic, black (PA)

Window

Plastic, crystal-clear (PC)

Ingress protection

IP 40 per EN 60529 / IEC 529

Electronics

Output signal (275° indication angle)

0.5 ... 2.5 V ratiometric

0.5 ... 3.5 V ratiometric

0.5 ... 4.5 V ratiometric

Supply voltage (Us)

DC 5 V

Electrical connections

Cable outlet, standard length 2 m

Colour	Assignment
red	U _B +
black	GND
orange	USIG +

Electromagnetic compatibility

Per test standards EN 61000-4-6 / EN 61000-4-3

Output signal and permissible load

Voltage output (3-wire):

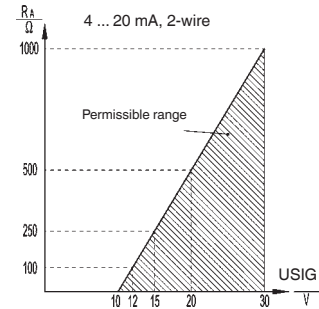
RA > 5 kΩ

Current output (2-wire)

4 ... 20 mA:

RA ≤ (U_{SIG} - 10 V) / 0.02 A with

RA in Ω and U_{SIG} in DC V



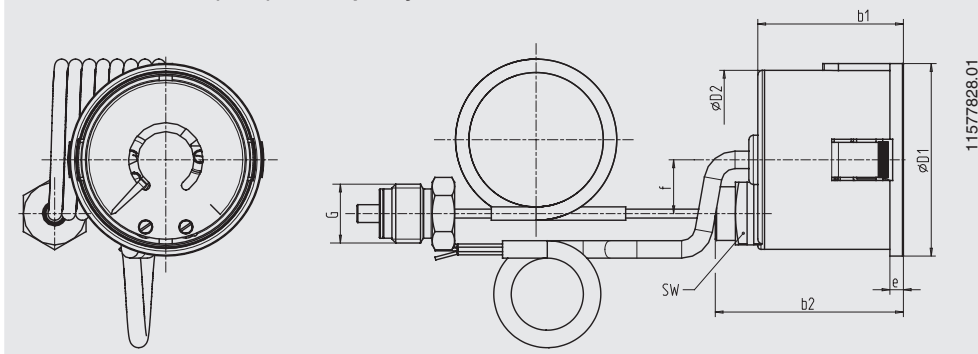
Options

- Other process connection
- Other capillary length
- Other output signals (e.g. 4 ... 20 mA)
- Other cable length

Dimensions in mm

Standard version

Lower back mount (LBM) with capillary



NS	Dimensions in mm								Weight in kg
	b ₁	b ₂	D ₁	D ₂	G	e	f	SW	
40	32.5	42	43	40	G 1/4	3	12	14	0.12

Ordering information

Model / Nominal size / Scale range / Connection size / Connection location / Output signal / Options

© 2008 WIKA Alexander Wiegand SE & Co. KG, all rights reserved.
The specifications given in this document represent the state of engineering at the time of publishing.
We reserve the right to make modifications to the specifications and materials.



WIKAL Alexander Wiegand SE & Co. KG
 Alexander-Wiegand-Straße 30
 63911 Klingenberg/Germany
 Tel. (+49) 9372/132-0
 Fax (+49) 9372/132-406
 E-mail info@wika.de
 www.wika.de